

Yuasa Technical Data Sheet

Yuasa DCB1275-12(ET) Pro-Spec Deep Cycle Battery

Specifications

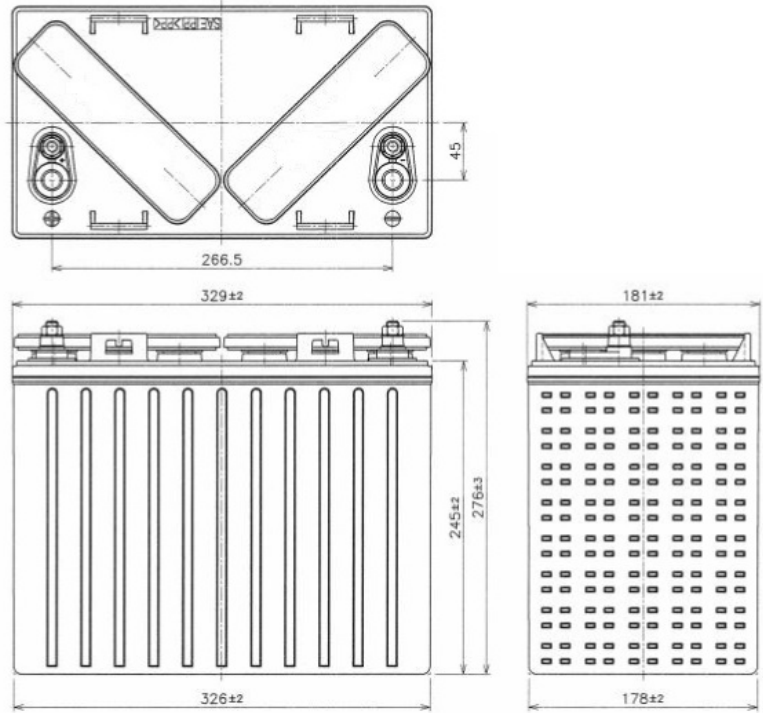
| | |
|---------------------------------------------------|-----|
| Nominal voltage (V) | 12 |
| 5-hr rate Capacity to 1.75v per cell at 20°C (Ah) | 125 |
| Capacity @ 75A (mins) | 70 |
| Capacity @ 25A (mins) | 290 |
| 20-hr rate Capacity to 1.75V/Cell at 20°C (Ah) | 150 |

5-Hr Capacity By Temperature

| | |
|------|------|
| 40°C | 105% |
| 30°C | 100% |
| 0°C | 80% |

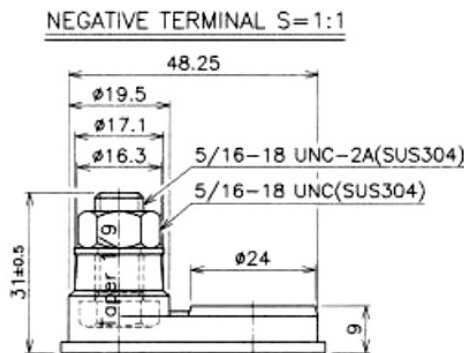
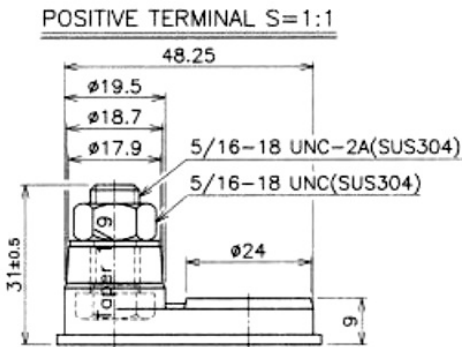
Dimensions

| | |
|----------------------------|------|
| Length (mm) | 329 |
| Width (mm) | 181 |
| Height (mm) | 245 |
| Height over terminals (mm) | 276 |
| Mass (kg) | 37.5 |



Material Specifications

| | |
|----------------------------|------------------------------------|
| Cover Style | : Removable - Maintenance Possible |
| Cover Vent Style | : Gang style |
| Container & Cover Material | : Black polypropylene plastic |
| Case to Cover Seal Method | : Heat sealing |
| Inner Cell Connector Type | : Through-partition weld |
| Plate Lug Weld Method | : Automated cast-on process |
| Positive Grid Material | : Antimony lead alloy |
| Negative Grid Material | : Antimony lead alloy |



Data Sheet generated on 29/04/2024 - E&OE